

Schottky Rectifier Modules



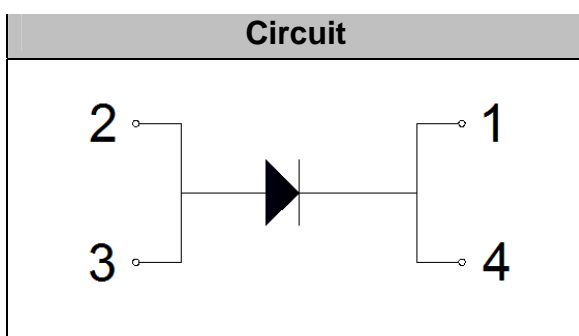
V_{RRM} 200V
I_{FAV} 300 A

Applications

- Plating Power Supply
- High Frequency Power Supply
- High Current Switching Power Supply
- Reverse Battery Protection
- Welding Maching

Features

- 175°C T_J Opration
- Center Tap Module
- High Frequency Opration
- Low Forward Voltage
- Dual Diode Construction; May be Paralleled for High Current Output
- Lead (Pb)-free
- Designed and qualified for industrial level



Maximum Ratings

Symbol	Conditions	Values	Units
V _R		200	V
I _{F(AV)}	T _C =125°C, Per Moudle	300	A
I _{FSM}	1/2 Cycle , 60Hz, Sine	4750	A
I ² t	T _J =45°C, t=8.3ms, 60Hz, Sine	112800	A ² s
T _J		-40 to +175	°C
T _{STG}		-40 to +175	°C
Torque	Recommended (M6)	4.5	N·m
Torque	Recommended (M6)	4.5	N·m
Weight		92	g

Thermal Characteristics

Symbol	Conditions	Values	Units
R _{th(j-c)}	Per Moudle	0.13	°C/W

Electrical Characteristics

Symbol	Conditions	Values			Units
		Min.	Typ.	Max.	
I _{RM}	V _R =200V	--	--	5	mA
	V _R =200V, T _J =125°C	--	--	200	mA
V _F	I _F =300A, , T _J =25°C	--	0.92	0.95	V
	I _F =300A, , T _J =125°C	--	0.88	0.90	



Performance Curves

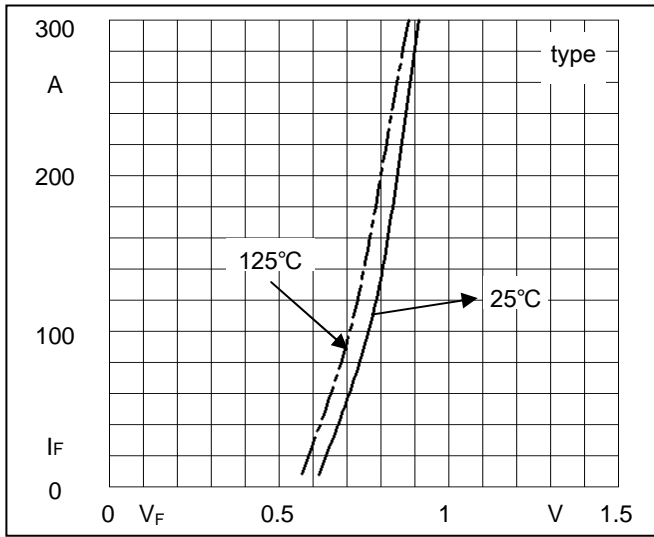


Fig1. Forward Voltage Drop vs Forward Current

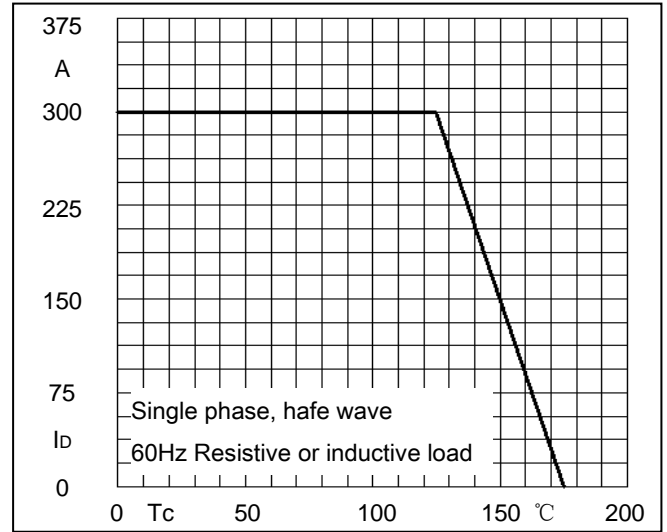


Fig2. Forward Current Derating Curve

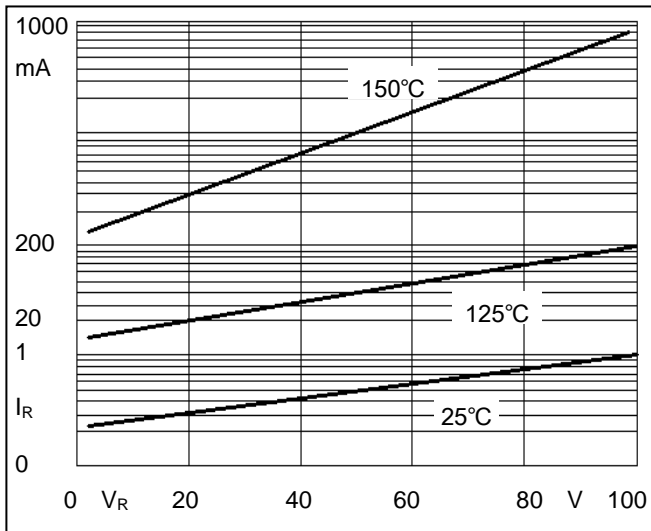
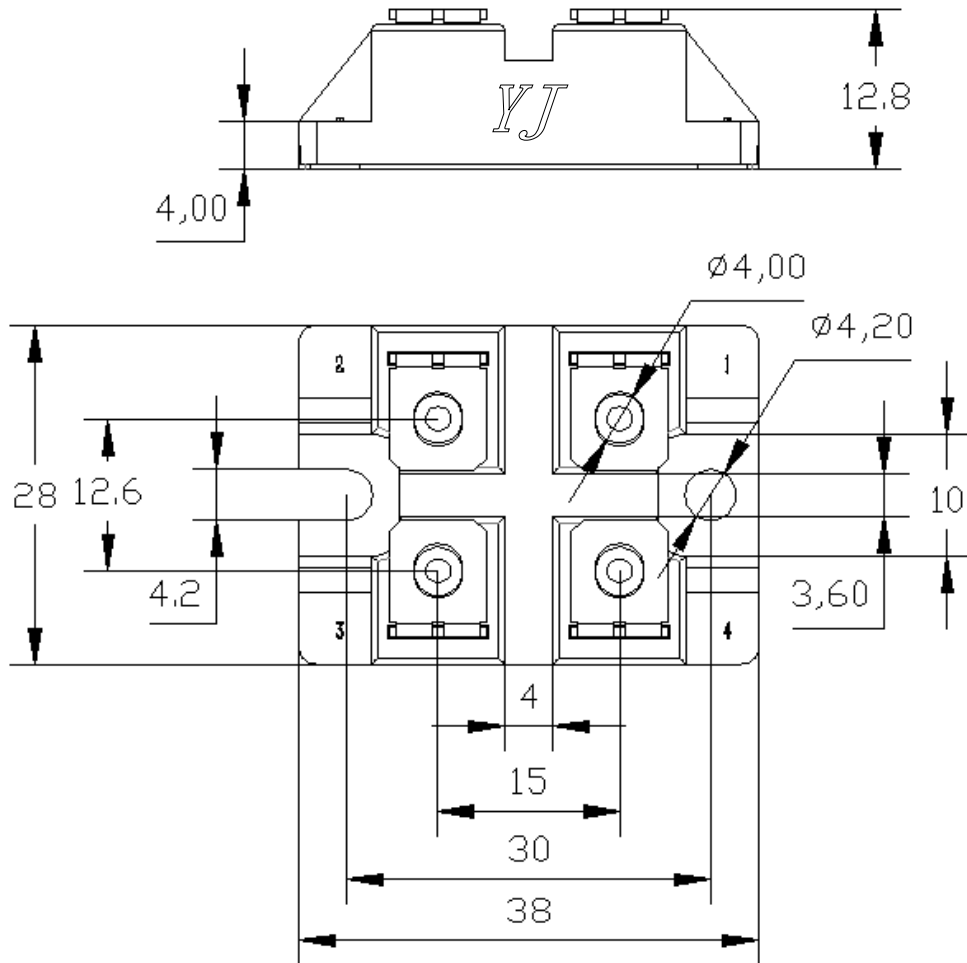


Fig3. Typical Reverse Current

Package Outline Information

CASE: FJ



Dimensions in mm